



DEFENDER[®] 3000

Hybrid Bench Scales



Counting function is not legal-for-trade

Bench Scales for Basic Industrial Applications

The Defender 3000 Hybrid bench scales are ideal for general weighing, simple counting and checkweighing applications in production, packaging, warehouse, inventory, shipping and receiving areas. The Defender 3000 Series features a simple, yet rugged design and stainless steel indicator with tactile keys, multicolor backlit LCD display, and built-in rechargeable battery.

Unique Features:

- Results are clearly shown using the large, bright backlit LCD display. In Checkweighing mode display changes color (yellow/green/red) to alert when within the target weight range.
- This industrial scale features a 304 stainless steel platform, powder-coated steel tubular frame, column and aluminum load cell. Indicator features a stainless steel housing and mounting bracket.
- Features software for Parts Counting, Checkweighing and Totalization. Includes RS232 with optional second port USB Device or Ethernet for printing or data connectivity.

DEFENDER® 3000 Hybrid Bench Scales

Specifications

Column Mount Bench Scales

Model	i-D33XW15B1R1	i-D33XW30B1R1	i-D33XW75B1R1	i-D33XW75B1L2	i-D33XW150B1L2
Capacity x Default Readability	15 kg x 2 g 30 lb x 0.005 lb 480 oz x 0.1 oz	30 kg x 5 g 60 lb x 0.01 lb 960 x 0.2 oz	75 kg x 10 g 150 lb x 0.02 lb 2,400 oz x 0.5 oz	75 kg x 10 g 150 lb x 0.02 lb 2,400 oz x 0.5 oz	150 kg x 20 g 300 lb x 0.05 lb 4,800 oz x 1 oz
Capacity x Certified/Approved Readability	15 kg x 5 g 30 lb x 0.01 lb 480 oz x 0.2 oz	30 kg x 10 g 60 lb x 0.02 lb 960 oz x 0.5 oz	75 kg x 50 g 150 lb x 0.05 lb 2,400 oz x 1 oz	75 kg x 50 g 150 lb x 0.05 lb 2,400 oz x 1 oz	150 kg x 50 g 300 lb x 0.1 lb
Maximum Displayed Resolution	1:7,500	1:6,000	1:7,500	1:7,500	1:7,500
Linearity/Repeatability	±1d				
Maximum Certified Resolution	1:3,000				
Indicator	304 stainless steel indicator				
Column	330 mm / 13 in powder-coated steel			680 mm / 26.8 in powder-coated steel	
Base Construction	Stainless steel removable weighing platform, powder-coated steel base construction, aluminum loadcell silicon sealed against moisture				
Safe Overload Capacity	150% of maximum capacity				
Stabilization Time	Within 1 second				
Operating Temperature Range	14°F to 104°F / -10°C to 40°C				
Scale Dimensions (A x B x C x D x E x F)	355 x 305 x 122 x 75 x 542 x 489 mm 14 x 12 x 4.8 x 3 x 21.3 x 19.3 in			550 x 420 x 134 x 80 x 896 x 686 mm 21.7 x 16.5 x 5.3 x 3.1 x 35.3 x 27 in	
Shipping Dimensions (L x W x H)	642 x 497 x 212 mm 25.3 x 19.6 x 8.3 in			857 x 564 x 225 mm 33.7 x 22.2 x 8.9 in	
Approx. Net Weight	12.1 kg / 26.8 lb			18.1 kg / 39.9 lb	
Approx. Shipping Weight	15.2 kg / 33.4 lb			22.2 kg / 48.9 lb	

Model	i-D33XW150B1X2	i-D33XW300B1X2	i-D33XW300B1V3	i-D33XW600B1V3
Capacity x Default Readability	150 kg x 20 g 300 lb x 0.05 lb 4,800 oz x 1 oz	300 kg x 50 g 600 lb x 0.1 lb	300 kg x 50 g 600 lb x 0.1 lb	600 kg x 100 g 1,200 lb x 0.2 lb
Capacity x Certified/Approved Readability	150 kg x 50 g 300 lb x 0.1 lb	300 kg x 100 g 600 lb x 0.2 lb	300 kg x 100 g 600 lb x 0.2 lb	600 kg x 200 g 1,200 lb x 0.5 lb
Maximum Displayed Resolution	1:7,500	1:6,000	1:6,000	1:6,000
Linearity/Repeatability	±1d			
Maximum Certified Resolution	1:3,000			
Indicator	304 stainless steel indicator			
Column	680 mm / 26.8 in powder-coated steel		980 mm / 38.6 in powder-coated steel	
Base Construction	Stainless steel removable weighing platform, powder-coated steel base construction, aluminum loadcell silicon sealed against moisture			
Safe Overload Capacity	150% of maximum capacity			
Stabilization Time	Within 1 second			
Operating Temperature Range	14°F to 104°F / -10°C to 40°C			
Scale Dimensions (A x B x C x D x E x F)	650 x 500 x 150 x 90 x 896 x 785 mm 25.6 x 19.7 x 5.9 x 3.5 x 35.3 x 30.9 in		800 x 600 x 155 x 90 x 1,195 x 933 31.5 x 23.6 x 6.1 x 3.5 x 47 x 36.7 in	
Shipping Dimensions (L x W x H)	1,022 x 687 x 247 mm 40.2 x 27 x 9.7 in		1,175 x 790 x 245 mm 46.3 x 31.1 x 9.4 in	
Approx. Net Weight	28.3 kg / 62.3 lb		46.7 kg / 103 lb	
Approx. Shipping Weight	32.8 kg / 72.2 lb		51.7 kg / 113.9 lb	

DEFENDER[®] 3000 Hybrid Bench Scales

Specifications

Front Mount Bench Scales

Model	i-D33XW15B1R5	i-D33XW30B1R5	i-D33XW75B1R5	i-D33XW75B1L5
Capacity x Default Readability	15 kg x 2 g 30 lb x 0.005 lb 480 oz x 0.1 oz	30 kg x 5 g 60 lb x 0.01 lb 960 x 0.2 oz	75 kg x 10 g 150 lb x 0.02 lb 2,400 oz x 0.5 oz	75 kg x 10 g 150 lb x 0.02 lb 2,400 oz x 0.5 oz
Capacity x Certified/Approved Readability	15 kg x 5 g 30 lb x 0.01 lb 480 oz x 0.2 oz	30 kg x 10 g 60 lb x 0.02 lb 960 oz x 0.5 oz	75 kg x 50 g 150 lb x 0.05 lb 2,400 oz x 1 oz	75 kg x 50 g 150 lb x 0.05 lb 2,400 oz x 1 oz
Maximum Displayed Resolution	1:7,500	1:6,000	1:7,500	1:7,500
Linearity/Repeatability	±1d			
Maximum Certified Resolution	1:3,000			
Indicator	304 stainless steel indicator			
Mount	304 stainless steel front-mount bracket with handle			
Base Construction	Stainless steel removable weighing platform, powder-coated steel base construction, aluminum loadcell silicon sealed against moisture			
Safe Overload Capacity	150% of maximum capacity			
Stabilization Time	Within 1 second			
Operating Temperature Range	14°F to 104°F / -10°C to 40°C			
Scale Dimensions (A x B x C x D x E x F)	355 x 305 x 122 x 75 x 130 x 646 mm 14 x 12 x 4.8 x 3 x 5.1 x 25.4 in			550 x 420 x 134 x 80 x 133 x 842 mm 21.7 x 16.5 x 5.3 x 3.1 x 5.2 x 33.1 in
Shipping Dimensions (L x W x H)	857 x 564 x 225 mm 33.7 x 22.2 x 8.9 in			1,022 x 687 x 247 mm 40.2 x 27 x 9.7 in
Approx. Net Weight	11.4 kg / 25.1 lb			17.3 kg / 38.1 lb
Approx. Shipping Weight	13.7 kg / 30.3 lb			21.3 kg / 47 lb

Model	i-D33XW150B1L5	i-D33XW150B1X5	i-D33XW300B1X5
Capacity x Default Readability	150 kg x 20 g 300 lb x 0.05 lb 4,800 oz x 1 oz	150 kg x 20 g 300 lb x 0.05 lb 4,800 oz x 1 oz	300 kg x 50 g 600 lb x 0.1 lb
Capacity x Certified/Approved Readability	150 kg x 50 g 300 lb x 0.1 lb	150 kg x 50 g 300 lb x 0.1 lb	300 kg x 100 g 600 lb x 0.2 lb
Maximum Displayed Resolution	1:7,500	1:7,500	1:6,000
Linearity/Repeatability	±1d		
Maximum Certified Resolution	1:3,000		
Indicator	304 stainless steel indicator		
Mount	304 stainless steel front-mount bracket with handle		
Base Construction	Stainless steel removable weighing platform, powder-coated steel base construction, aluminum loadcell silicon sealed against moisture		
Safe Overload Capacity	150% of maximum capacity		
Stabilization Time	Within 1 second		
Operating Temperature Range	14°F to 104°F / -10°C to 40°C		
Scale Dimensions (A x B x C x D x E x F)	550 x 420 x 134 x 80 x 133 x 842 mm 21.7 x 16.5 x 5.3 x 3.1 x 5.2 x 33.1 in	650 x 500 x 150 x 90 x 133 x 941 mm 25.6 x 19.7 x 5.9 x 3.5 x 5.2 x 37 in	
Shipping Dimensions (L x W x H)	1,022 x 687 x 247 mm 40.2 x 27 x 9.7 in	1,022 x 687 x 247 mm 40.2 x 27 x 9.7 in	
Approx. Net Weight	17.3 kg / 38.1 lb	27.4 kg / 60.5 lb	
Approx. Shipping Weight	21.3 kg / 47 lb	30.9 kg / 68.2 lb	

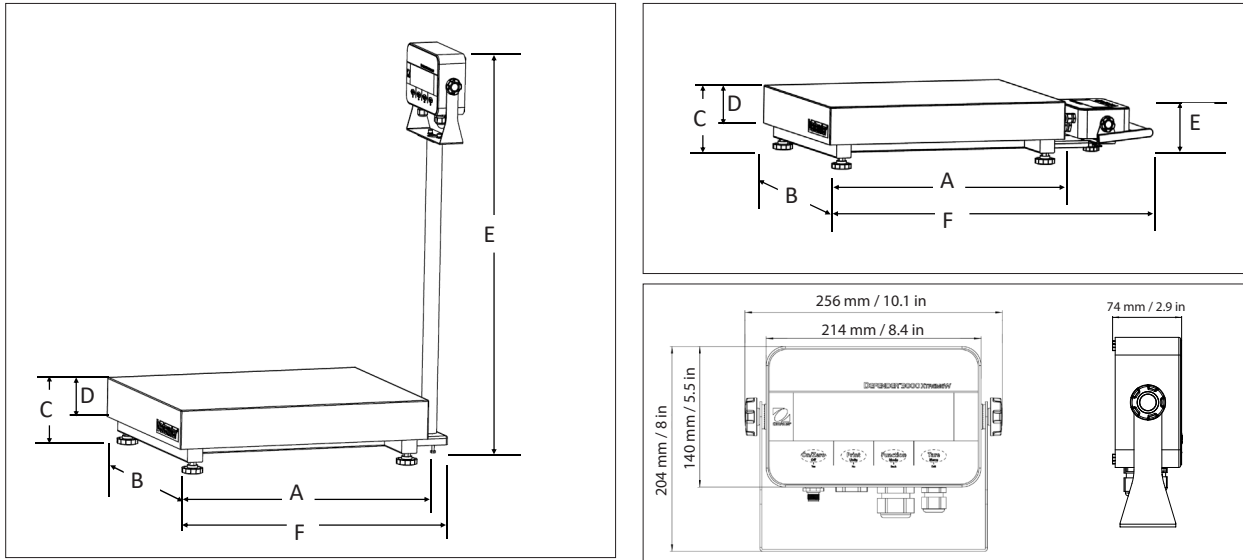
DEFENDER® 3000 Hybrid Bench Scales

Specifications

Indicator

Model	i-DT33XW
Construction	304 stainless steel housing and mounting bracket
Weighing Units	Kilogram, Gram, Pound, Ounce, Pound: Ounce
Application Modes	Weighing, Parts Counting, Checkweighing and Totalization
Display	6-digit, 7-segment LCD display with multi-color backlight, 45 mm / 1.8 in high digits
Check Indicator	3 color (red, green, yellow) backlight
Keyboard	4 membrane function keys
Auto-zero Tracking	Off, 0.5 d, 1 d or 3 d
Zeroing Range	2% or 100% of capacity
Interface	RS232 included Optional second port USB Device or Ethernet
Power	100-240 VAC / 50/60 Hz Universal Power Supply, hardwired or standard internal rechargeable battery
Battery Life	Up to 100 hours continuous use with backlight off
Calibration	Zero, Span or 3 point-Linear

Outline Dimensions



Compliance

- **Metrology:** NTEP (Indicator: CC 21-070, Platforms: CC 21-075); Measurement Canada (Indicator: NoA AM-6183, Platforms: NoA AM-6180) Class III
- **Product Safety:** UL61010-1; CAN/CSA C22.2 61010-1; IEC/EN 61010-1
- **Electromagnetic Compatibility:** FCC Part 15 Class A; Canada ICES-003 Class A; IEC/EN 61326-1 Class B, basic environments
- **Ingress Protection:** IEC 60529 – IP66 (for indicator), IEC 60529 – IP65 (for load cell)
- **Compliance Marks:** CSA, CE
- **Other:** WEEE, RoHS

Accessories

Ethernet Kit.....	30429666
USB Device Kit i-DT33	30699120
Dust Cover (5) i-DT33	30699121
Wheel Kit, Defender Series.....	30372146
Wheel Kit SST Defender Series	30616409
Carrying Handle Kit SST i-DT33	30696600
SF40A Printer	30064202
Cable RS232 i-DT33XW	80500552

OHAUS CORPORATION

7 Campus Drive
Suite 310
Parsippany, NJ 07054 USA

Tel: 800.672.7722

973.377.9000

Fax: 973.944.7177

www.ohaus.com

The management system
governing the manufacture
of this product is
ISO 9001:2015 certified.

